



hurlcon

TX series pool and spa pumps

With pool pumps, it really is the survival of the fittest. The Australian environment is tough on pool and spa pumps.

Internally, they must adapt to ever increasing pressure levels.

Externally, they have to cope with the climate and the elements.

Only the best survive.

It's an environment in which all Hurlcon pumps thrive and one in which the TX Series has set a new Benchmark in performance and durability.



TX

Hurlcon TX series pool and spa pumps



Performance.

With increasing levels of automation and equipment on pools and spas, internal head pressures are constantly rising as pumps try to push water through pool filters, salt chlorinators, in-floor cleaning systems or multi jet spas. The TX Series has been designed to comfortably meet this need by delivering a much higher head pressure and overall performance than most competitors. And surprisingly, it does it with greater efficiency and at greatly reduced noise levels.

Quiet.

High quality materials and rigid construction reduce operating noise.

Efficient.

TX also moves more water, using less power, in fewer hours per day. Fewer operating hours means lower operating costs.

Reliable.

External protection on the TX is provided by a single piece body of super tough and stable Noryl, a corrosion-resistant, high-tech, glass-reinforced thermoplastic. An inbuilt non-return valve eliminates reverse rotation of the impeller in high pressure situations ensuring reliability.

Quality Components.

Internally, stainless steel shafts and 'lapped true carbon face and ceramic seals' also help achieve the highest standards of reliability and durability.

Genus Technology.

The TX Series is not just a pump, its part of a family of high quality, highly intelligent, interconnected products that together, take total care of your pool and spa. The Genus IV controller links all the separate components together through a single control that allows any member of the family to operate the system.

Convenience.

The large hair and lint pot requires less frequent cleaning and the clear cleaning the strainer basket. Inlet inspection lid is easily undone for and outlet barrel union connections allow for quick and easy installation and removal for servicing.

Range.

The Hurlcon TX Series Pool and Spa Pumps are available in 5 sizes from

0.75 horsepower to 3 horsepower and most models are available in 415 V 3 Phase power supply.

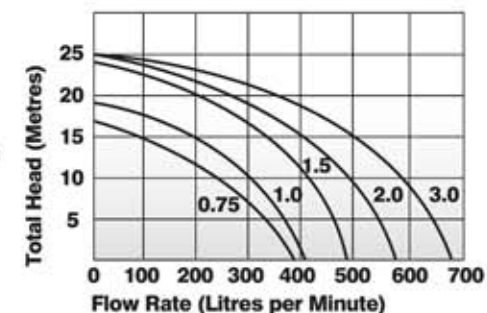
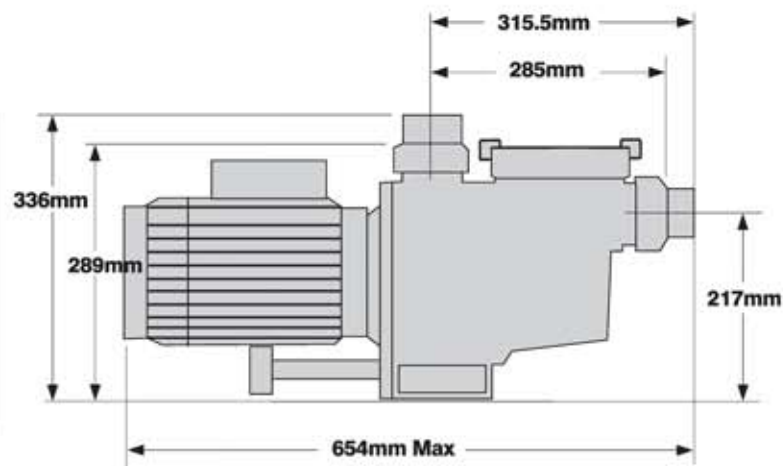
Warranty.

Each pump is covered by a limited 3 year warranty against defects in materials and workmanship. For full details refer to the TX Series Instruction Sheet.

Specifications.

Model	Volts	Phase	Input Watts	Horse Power	Flow Rate @ 8 m/h	Max Noise @ 1 mtr	Full Load Amps
TX 3/4	240	Single	750	0.75	265 lpm	59 dBA	3.8
TX 1.0	240	Single	1260	1.00	310 lpm	61 dBA	5.3
TX 1.5	240	Single	1500	1.50	410 lpm	63 dBA	6.6
TX 2.0	240	Single	1900	2.00	503 lpm	63 dBA	8.3
TX 3.0	240	Single	2300	3.00	610 lpm	63 dBA	12.5

Available from:



www.hurlcon.com.au
or sales@hurlcon.com.au

Melbourne Office:
Ph: 03 9765 9700
Fax: 03 97645 9770

Sydney Office:
Ph: 02 9853 2100
Fax: 02 9853 2170

Brisbane Office:
Ph: 07 3308 5400
Fax: 07 3308 5470

Gold Coast Office:
Ph: 07 5552 2600
Fax: 07 552 2670

Adelaide Office:
Ph: 08 8349 2500
Fax: 08 8349 2570

Perth Office:
Ph: 08 9350 2600
Fax: 08 9350 2670