

hurlcon

E series sand filter

Hurlcon's "X Series" sand filters have set new standards in fine filtration, and now the E Series Sand Filters deliver Hurlcon quality and durability for smaller to medium sized pools and spas at a budget price.

E-SF

Hurlcon E series sand filter



Modern pools and spas are a sophisticated combination of electronic and mechanical design. They place enormous demands

on the components that provide the filtration, heating and performance standards that are common place today. Not all pools and spas however operate at these extreme levels. Many smaller pools and many older pools place far less stress on their various components.

For these pools, Hurlcon engineers have designed an economical range of pool components.

Applications.

The 'E Series' filters will provide just the right level of performance plus the famous Hurlcon robust reliability for all pools and spas up to 90,000 litres.

Unique Tank Design.

E Series filters incorporate an in-built moulded base and are seamlessly rotationally moulded from HDPE for higher strength and reliability.

The careful design ensures even wall thickness providing strength and long-term durability.

Multi-Port Valve.

A clamp-on multi-port valve ensures positive fitting and easy alignment of pipe work, minimising installation time with no special tools required.

Faster Backwashing.

The 12 Arm Hub and 25mm Laterals mean lower resistance to waterflow and faster backwashing.

High Flow Rates.

The E Series Multi-Port Valve provides extremely low pressure drop so smaller pumps can operate at higher flow rates.

Faster, Cheaper.

This circulates the pool water in less time, saving you money and offering improved pool filtration.

Range.

The E Series is available in three sizes.

Warranty.

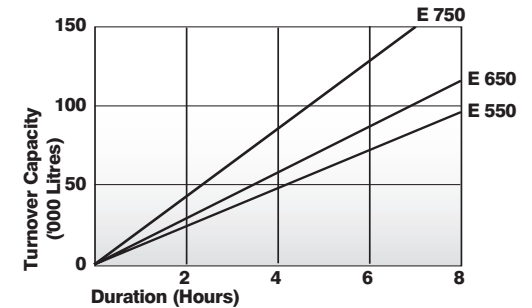
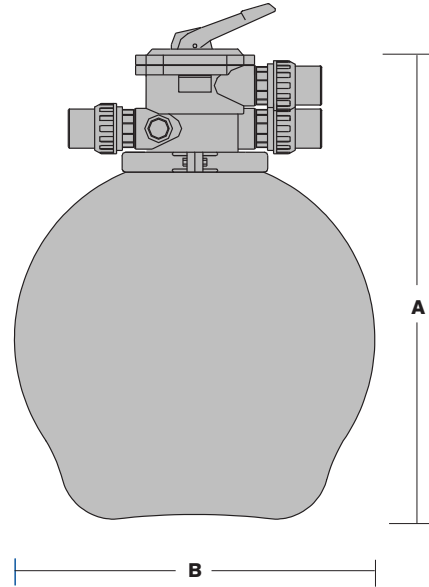
Every E Series Sand Filter tank is covered by a 10 year pro rata warranty.

The valve and internal fittings are covered by a 12 month warranty. See the E Series Instruction Book for full warranty details.

Specifications.

Model	'A' mm	'B' mm
E 550	790	520
E 650	815	635
E 750	940	755

Available from:



Order Free Fax 1800 635 781
or sales@hurlcon.com.au

Victorian Office:
Ph: 03 9765 9765
Fax: 03 9764 9009

NSW Office:
Ph: 02 9674 8544
Fax: 02 9674 8522

Queensland Office:
Ph: 07 3393 3233
Fax: 07 3393 3255

South Australian Office:
Ph: 08 8345 5755
Fax: 08 8345 5211

Western Australian Office:
Ph: 08 9258 9322
Fax: 08 9258 9344